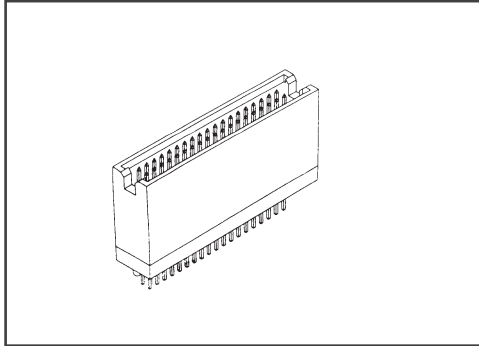


Pitch:1.27mm (0.05")

Box Header Dip Type



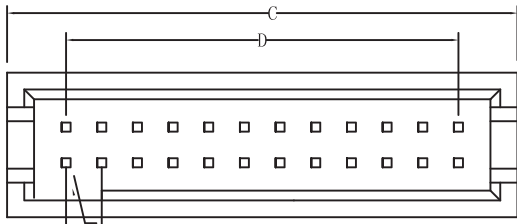
SPECIFICATIONS

Current Rating:1.0 Amps
 Insulator resistance:1000 Megohms Min.
 Dielectric withstanding:AC 300 V
 Contact Resistance:20 Megohms Max
 Operating Temperature:-40° C – +105° C

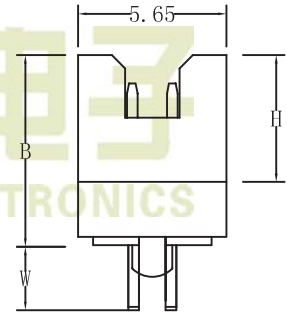
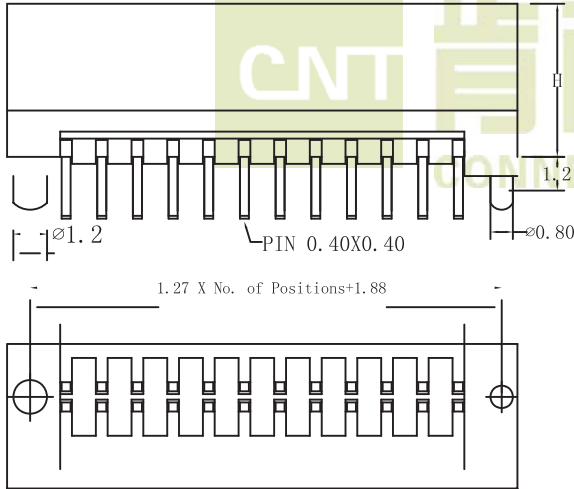
MATERIALS

Contact Material:Copper Alloy
 Insulator Material:Polyester UL 94V-0
 Nylon-6T

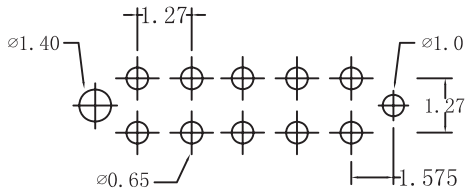
Finish:Gold/Tin Plated



The polarization and The Big Post will be the same side.
 1.27



Recommended P. C. Board Hole Layout



No. of Pins Per Row		05~40
Dimension		
C	1.27*No. of Contacts+3.20	± 0.38
D	1.27*No. of Contacts-1.27	± 0.25

Ordering Information

B 127 2 * XX G S B/W H

B: Box Pitch: 1.27mm 2: Double Row No. of pins per Row G: GoldPlated T: Tin Plated S: Straight Custom Length Available H: 9.20mm 7.00mm 8.70mm 13.60mm 13.20mm 12.10mm
 ... Different Height